

# PRODUCT INFORMATION PACKET



Model No: LM30100

Catalog No: LM30100

Elevator Duty Motor, 30 & 40 HP, 3 Ph, 60 & 60 Hz, 230/460 & 230/460 V, 3600 & 3600 RPM,  
284T Frame, DP



Regal and LEESON are trademarks of Regal Rexnord Corporation or one of its affiliated companies.  
©2025 Regal Rexnord Corporation, All Rights Reserved. MC017097E



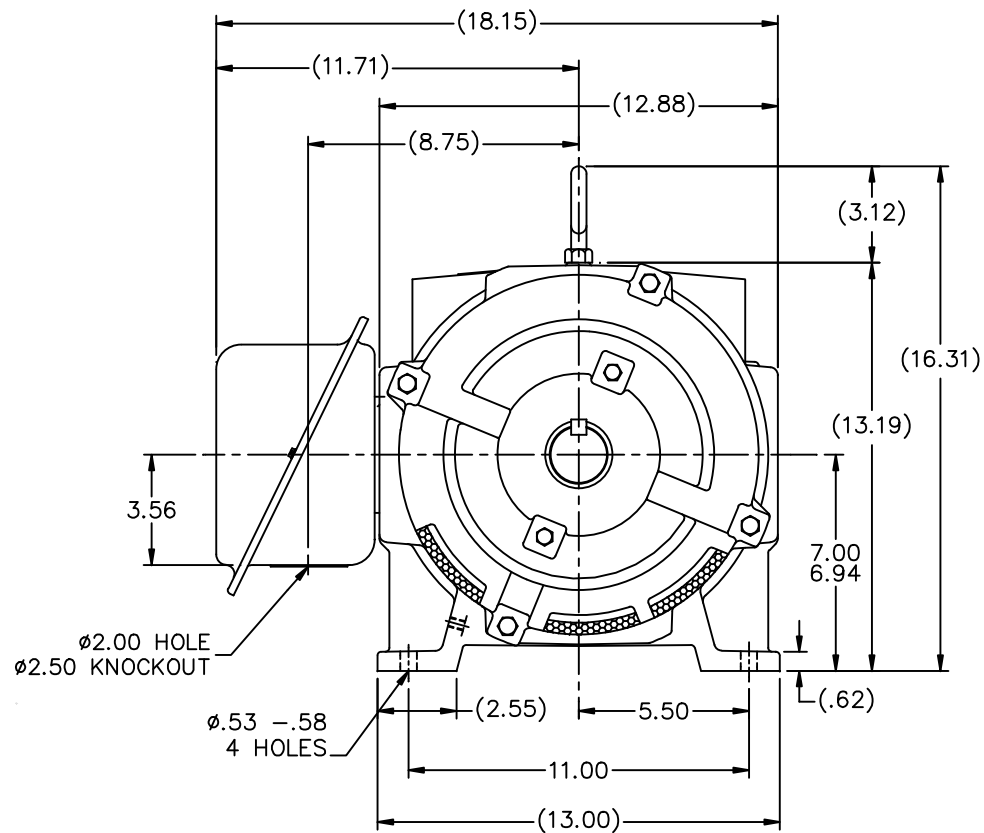
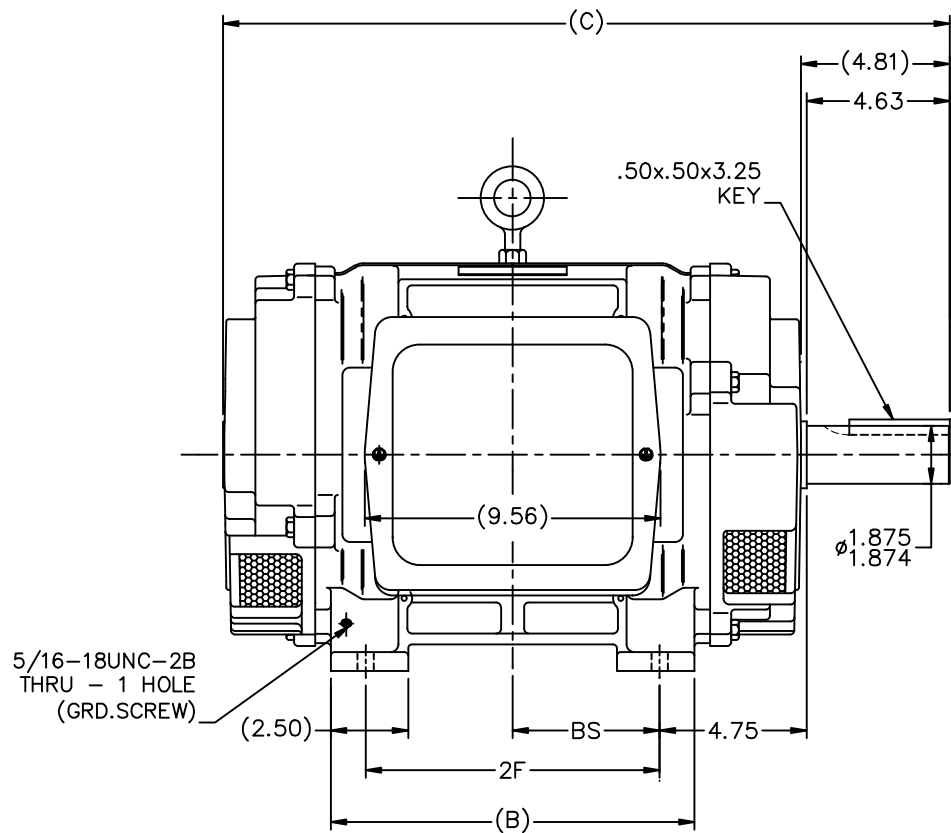


### Nameplate Specifications

Phase	3	Output HP	30 & 40 Hp
Output KW	22.4 & 30.0 kW	Voltage	230/460 & 230/460 V
Speed	3530 & 3530 rpm	Service Factor	1.0 & 1.0
Frame	284T	Enclosure	Drip Proof
Thermal Protection	No Protection	Efficiency	91 & 88.5 %
Ambient Temperature	40 °C	Frequency	60 & 60 Hz
Current	72/36 & 97/48.5 A	Power Factor	85.5
Duty	120/80 Starts/Hour	Insulation Class	F
Design Code	INV	KVA Code	C
Drive End Bearing Size	311	Opp Drive End Bearing Size	210
UL	Recognized	CSA	Y
CE	Y	IP Code	12
Number of Speeds	1		

### Technical Specifications

Electrical Type	Squirrel Cage Induction Run	Starting Method	Wye Start Delta Run
Poles	2	Rotation	Reversible
Resistance Main	.364 Ohms	Mounting	Rigid Base
Motor Orientation	Horizontal	Drive End Bearing	Ball
Opp Drive End Bearing	Ball	Frame Material	Cast Iron
Shaft Type	T	Overall Length	23.49 in
Frame Length	12.75 in	Shaft Diameter	1.875 in
Shaft Extension	4.63 in	Assembly/Box Mounting	F1/F2 CAPABLE
Outline Drawing	SS200030LN-1275	Connection Drawing	EE7358-LN



NOTES

1. BOX CAN BE ROTATED IN 90° STEPS
2. BOX CAN BE MOUNTED ON OPPOSITE SIDE BY REMOVING BRACKETS AND TURNING FRAME 180°
3. NAMEPLATE TO BE READ FROM CONDUIT BOX SIDE OF MOTOR

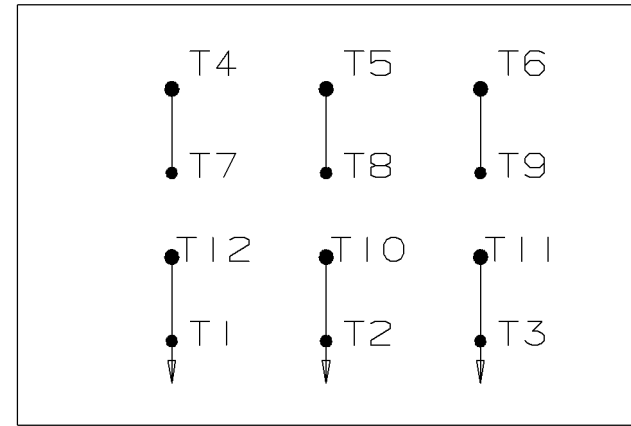
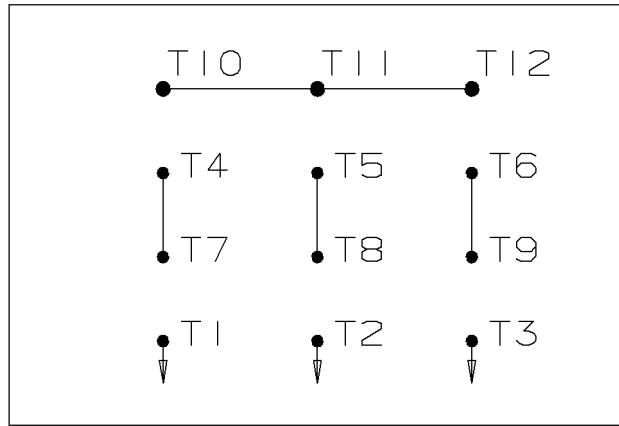
DASH	FRAME	B	C	2F	BS
1275	284T	11.75	23.49	9.50	4.75
1425	286T	13.25	24.99	11.00	5.50

		TOLERANCES UNLESS SPECIFIED		Lincoln MOTOR		DRAWN CTO 12-12-2003	
		DEC.	INCHES			CHK	ML 12-12-2003
		.X	±.1			APPD	BW 12-12-2003
		.XX	±.03	TITLE OUTLINE - DR.PR. - CAST IRON		SCALE	1=4
		.XXX	±.005	280T FR. - BB - TS - DBL. END VENT.		REF	
		.XXXX	±.0005	MAT'L		FMF	MU49135
		CHK	ANG ±7'30"	FINISH		PREV	
NO.		REVISION	BY & DATE	RFP	12-12-2003	CAD FILE	ss200030ln
THIS DRAWING IN DESIGN AND DETAIL IS OUR PROPERTY AND MUST NOT BE USED EXCEPT IN CONNECTION WITH OUR WORK ALL RIGHTS OF DESIGN AND INVENTION ARE RESERVED THIS IS AN ELECTRONICALLY GENERATED DOCUMENT - DO NOT SCALE THIS PRINT				DIST	LB	SIZE	DRAWING NO. PAGE OF REV.
				B		SS200030LN	2

WYE START

HIGH VOLTAGE

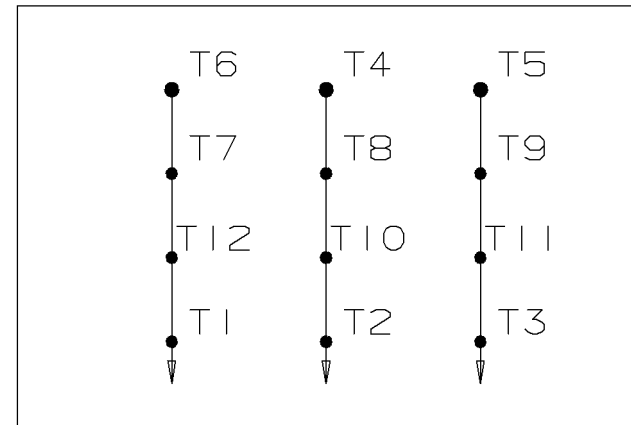
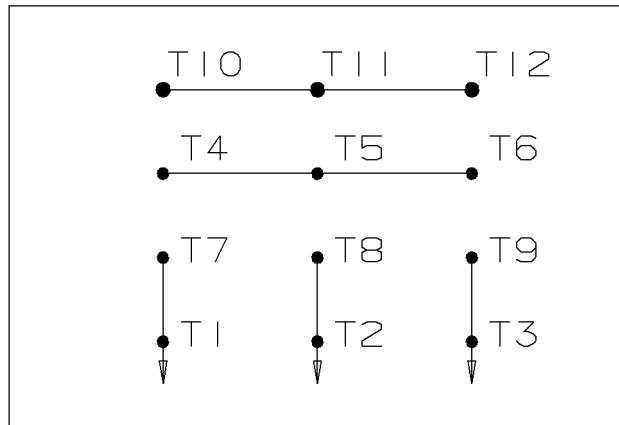
DELTA RUN



WYE START

LOW VOLTAGE

DELTA RUN



4/2 CKTY Δ

					<input checked="" type="checkbox"/> UNLESS OTHERWISE SPECIFIED DIMENSIONS ARE IN INCHES TOL. ON XX± .02    XXX± .005    XXXX± .0005    ANGLES± 7'30"		
						MAX. SURFACE ROUGHNESS UNLESS OTHERWISE NOTED FINISH MATERIAL	DRAWN BY DRS CHKD BY ML APPD BY TB
1	12-07-1999	NEW DRAWING	DRS	PART NAME CONNECTION DIAGRAM			DRWG NO A-EE7358-LN
REV	DATE	CHANGE	NAME	PURCHASED			CADD FILE NO. EE7358-LN

Data Sheet

Date: 2/1/2018

LM30100



Data @ **460 V**

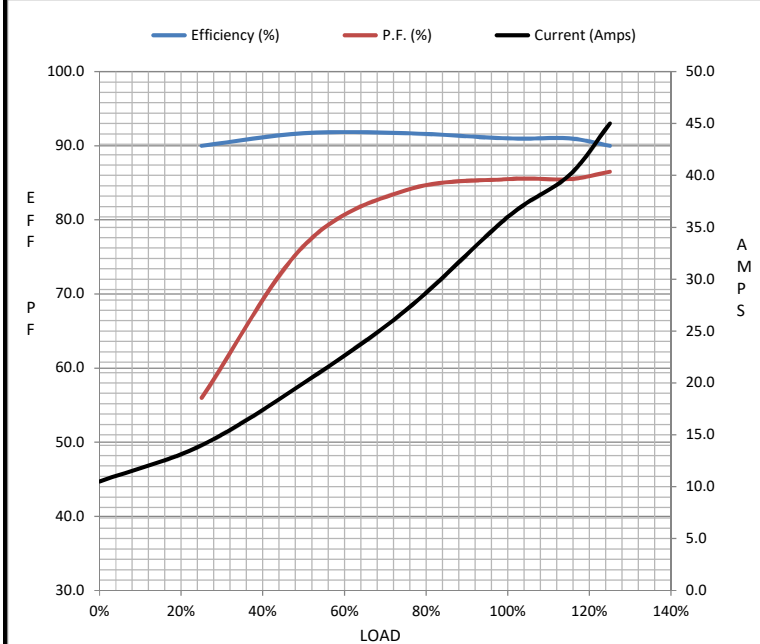
Motor Load Data

Load	0%	25%	50%	75%	100%	115%	125%	LR
Current (Amps)	10.5	14.0	20.0	27.0	36.0	40.0	45.0	200
Torque (ft-lb)	0.00	11.0	22.0	33.5	44.5	50.0	56.0	67.0
RPM	3600	3585	3570	3550	3530	3,520	3505	0
Efficiency (%)		90.0	91.7	91.7	91.0	91.0	90.0	
P.F. (%)	11.0	56.0	76.5	84.0	85.5	85.5	86.5	38.0

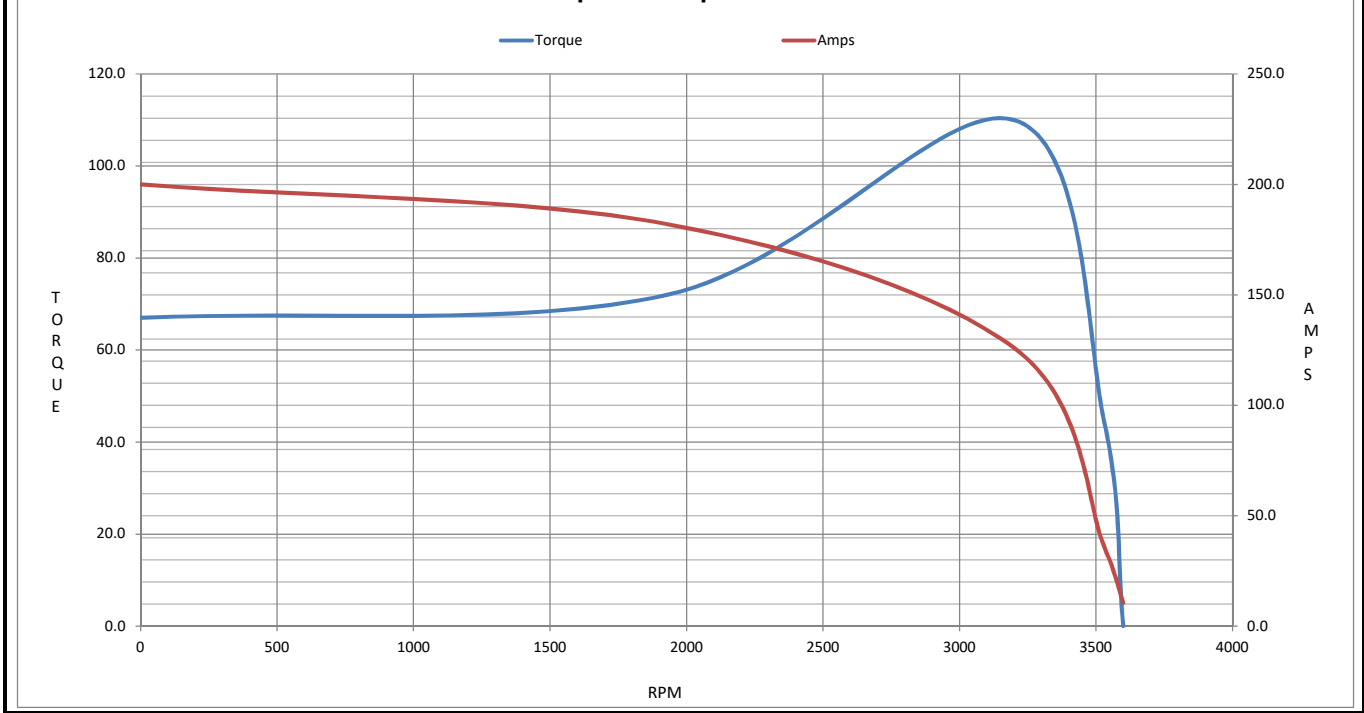
Motor Speed Data

	LR	Pull-Up	BD	Rated	Idle
Speed (RPM)	0	1930	3200	3530	3600
Current (Amps)	200	182	126	36.0	10.5
Torque (ft-lb)	67.0	72.0	110	44.5	0.00

Information Block				
HP	30.0			
Sync. RPM	3600			
Frame	284			
Enclosure	DP			
Construction	TDP			
Voltage	230/460#230/460 V			
Frequency	60 Hz			
Design	B			
LR Code letter	F			
Service Factor	1.15			
Temp Rise @ FL	40 °C			
Duty	60 MIN			
Ambient	40 °C			
Elevation	1,000 feet			
Rotor/Shaft wk <sup>2</sup>	1.25 Lb-Ft <sup>2</sup>			
Ref Wdg	K256294 R6			
Sound Pressure @ 1M	80 dBA			
VFD Rating	NONE			
Outline Dwg	B-SS200030LN-1275			
Conn. Diag	A-EE7358-LN			
Additional Specifications:				
0				
0				
EQUIV CKT (OHMS / PHASE)				
R1	R2	X1	X2	Xm
0.2140	0.1510	0.8140	0.7720	24.4070



Speed - Torque Curve



## EC Declaration of Conformity

The undersigned representing  
the manufacturer:

Regal Beloit America  
100 East Randolph St.  
Wausau, WI 54401

and the authorized representative  
established within the Community:

Marathon Electric UK  
6F Thistleton Road Ind. Estate  
Market Overton  
Oakham, Rutland LE15 7PP UK

are committed to providing customers with products that comply with applicable regulations and international protocols to which they are subject, including the requirements of the European Parliament Directive on the Harmonization of the laws relating to electrical equipment designed for use within certain voltage limits (2014/35/EU).

Regal Beloit America declares that the following product(s), to which this declaration relates, are in conformity with the relevant sections of the EC standards listed below.

This statement supersedes any statements previously issued pertaining to the product(s) listed below and is subject to change without notice.

Model No : LM30100

(Model No. may contain prefix and/or suffix characters)

Catalog No : LM30100

Rework No : N/A

Directives :

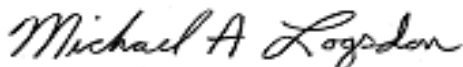
Low Voltage Directive 2014/35/EU

Harmonized Standards Used :

EN 60034-1: 2010 (IEC 60034-1: 2010)

EN 60034-5: 2001/A1:2007 (IEC 60034-5: 2000/A1:2006)

Authorized Representative:



Michael A. Logsdon  
Vice President, Technology

Authorized Representative in the Community:



Julian Clark  
Marketing Engineer

Created on 09/01/2022

**CE 22**